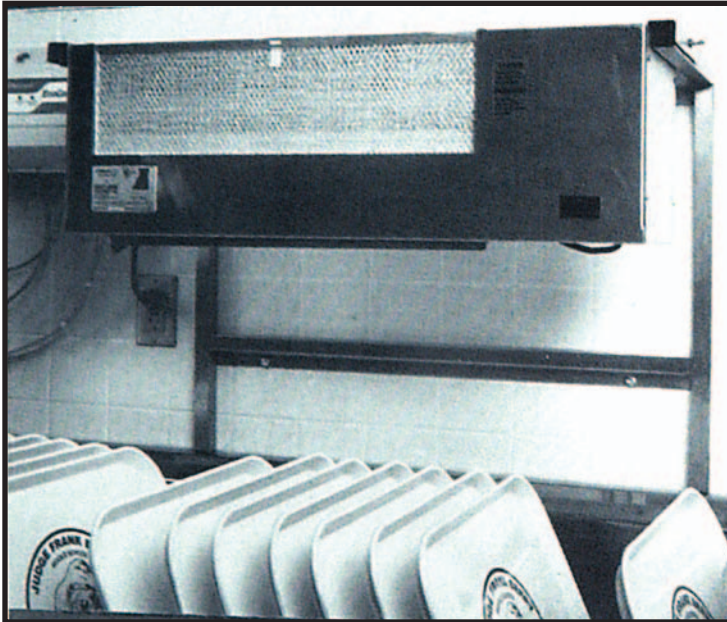




KITCHENWARE DRYER

The perfect solution to all of your tray/dishware drying needs.



The **POWERDry™**
Kitchenware Dryer...

- Dries your dish/trayware and pots and pans
- Lower labor and inventory costs
- Improves sanitation
- Cools kitchenware to touch
- Reduces spotting and streaking
- Economical to use (115V)
- Easily mounted in your kitchen's dishwashing area
- Easy to use—plug in then turn on the switch

Needs only 24 inches over
the “take-off” section of
your dishmachine.




SAN'AIRE
INDUSTRIES

*The solution to your
sanitary drying problems*

Call our sales department:

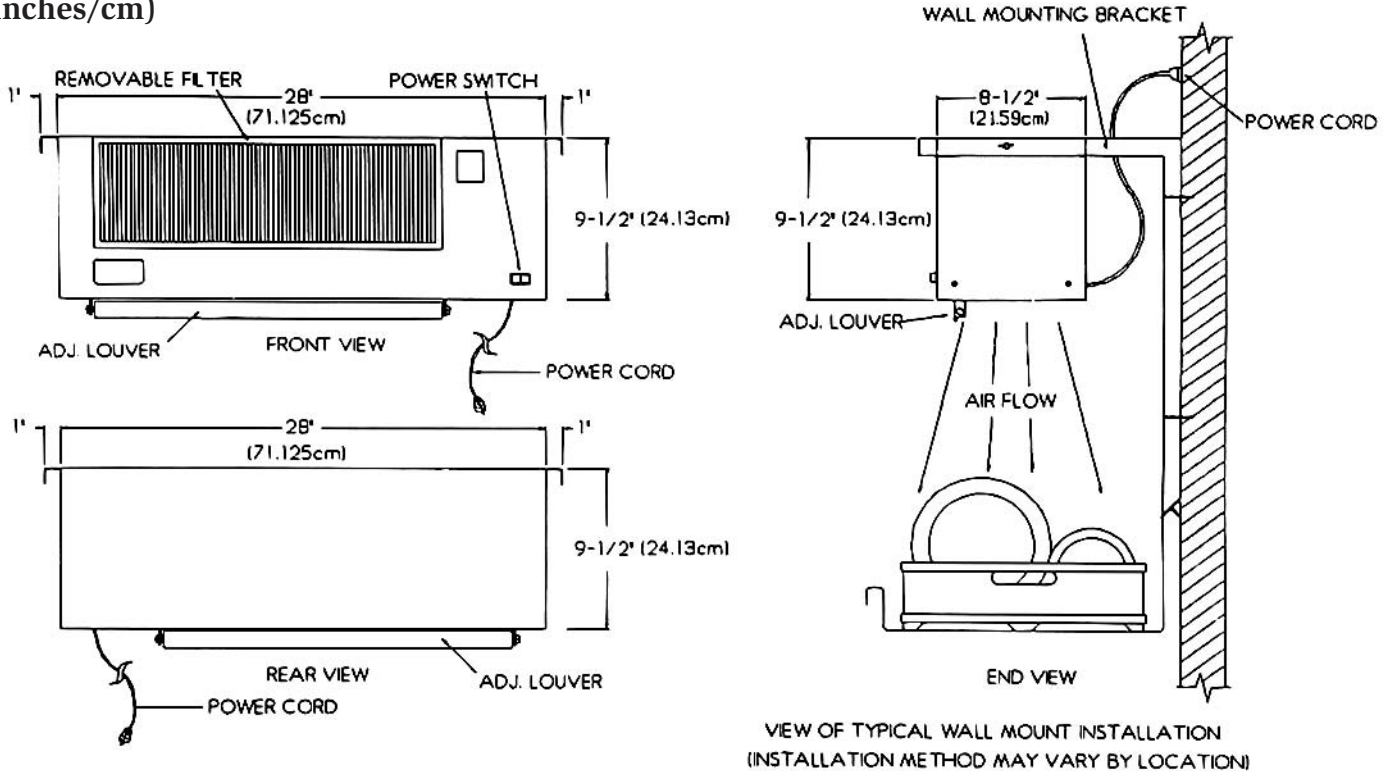
800-757-1912
101 E. Felix Street
Fort Worth, TX 76115
817-924-7189
Fax: 817-921-3963

Notes:

Due to ongoing analysis programs at SanAire Industries, Inc., specifications are subject to change without notice.

Revised July 2000

Dimensions (inches/cm)



Bid Specifications

PRODUCT#	VOLT	AMPS	WATTS	CFM	RPM	FMP	NETWT. lbs./kg.	SHIPWT. lbs./kg.	SHIPVOL. cu. ft./cu. mm.
PD-100-M	120v/lp	4.33	500	826	3111	2800	35/15.9	40/18	1.25/.035

Standard Equipment shall include:

- Housing of 20 Ga. #3 grade stainless steel
- (2) 20" x 6" x 3/8" Aluminum filters (removable)
- Lighted on/off rocker switch
- 8 ft. cord with Nema 5-15P plug
- Thumb screws on each end of unit for adjustment
- "u" channel ends for fitting to standard wall mount
- Noise level: 74 dBA (OSHA permissible is 90 dBA for an 8-hour period)
- Warranty: One (1) year motor replacement, 90 days parts and labor

Options and Accessories:

- Additional filters available
- Correctional Facility packages available
- All PowerDry™ units should be mounted on either a standard wall mount bracket or hat channel for flight type or dishmachines that are more than 5" out from wall.

