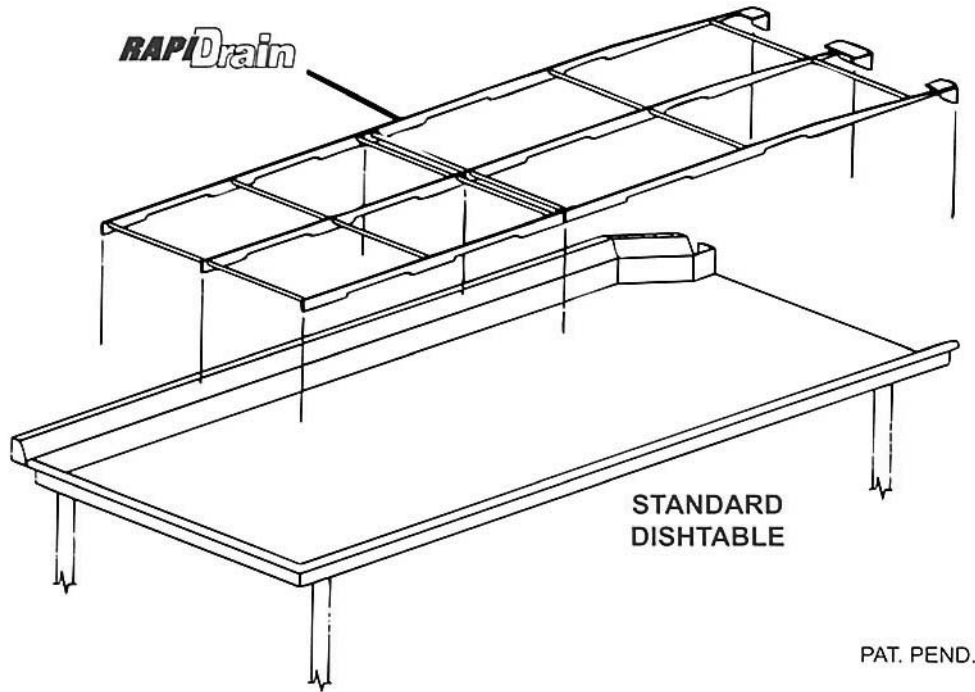


RAPIDrain™

KITCHENWARE DRAINER

Are your clean kitchenware racks immersed in standing water? Do your clean dishtables not drain properly? then try the first drainer designed specifically for the Food Service industry to eliminate this problem and to compliment the **POWERDry™** kitchenware dryer.



Before the **RAPIDrain™** **Kitchenware Drainer**

- Cross contamination from standing water
- Spotting of dishware due to splash
- Excess water remains trapped in rack
- Base of kitchenware items remain wet

After the **RAPIDrain™** **Kitchenware Drainer**

- Sanitary drying conditions
- Reduces spotting problems
- Disembogues water
- Dry dishes/trays drain properly


SAN'AIRE
INDUSTRIES
*The solution to your
sanitary drying problems*

Call our sales department:

800-757-1912

7600 Benbrook Pkwy., #4

Benbrook, TX 76126

817-924-7189

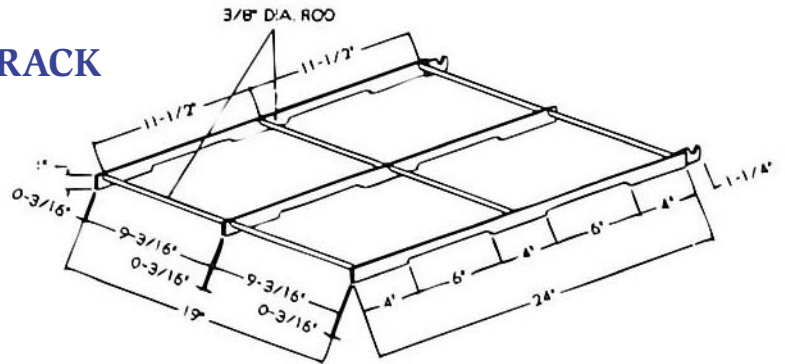
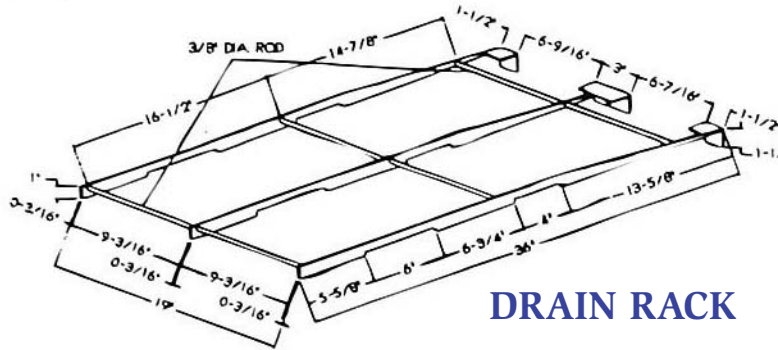
Fax: 817-921-3963

- Easy placement
- No maintenance required
- Health Departments love them

RAPIDrain™

KITCHENWARE DRAINER

Dimensions (inches/cm)



Bid Specifications

MODEL#	Description	Length	Width	Height	90° Lip	Construction
RD-101	Drainer	36"	19"	1"	1-1/2"	All S/S construction
RD-101E	Extension	24"	19"	1"	N/A	All S/S construction

Standard Equipment shall include:

- All stainless steel construction:
 - 1" x 3/16" flat bar
 - 3/8" round rod
 - 16 ga. formed ends
- Openings on flat bar for water to flow through
- Rust resistant
- Warranty—One (1) year workmanship

Options and Accessories

- Custom sizing available.
Contact factory for pricing
- 3/8" round rod
- 16 ga. formed ends

Notes:

Due to ongoing analysis programs at SanAire Industries, Inc., specifications are subject to change without notice.

Revised July 2025